

# Crosslock Lock

Security Seal



**Main application fields** : Containers, trailers and wagons.

**Material** : Galvanised steel

**Pull apart force** : 3 tons

**MOQ for stock product** : 5 pcs

**HS Code** : 83 09 90 00

**Possible Marking** : Yes

Secure your container and most valuable.

Made with galvanised steel, laser engraved.

Variable locking space up to 370mm.

This system is used with a lock.

Lock option :

Stainless steel with chrome plating

3 keys with number

Diameter of bolt 14 mm.

**ETIGO** →

2 Avenue Paul Langevin - Zone d'Activités de Ravennes les Francs - 59200 - TOURCOING - France

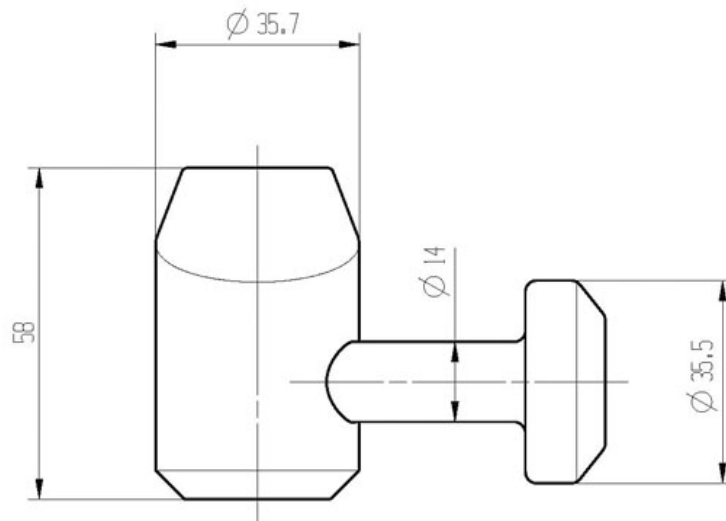
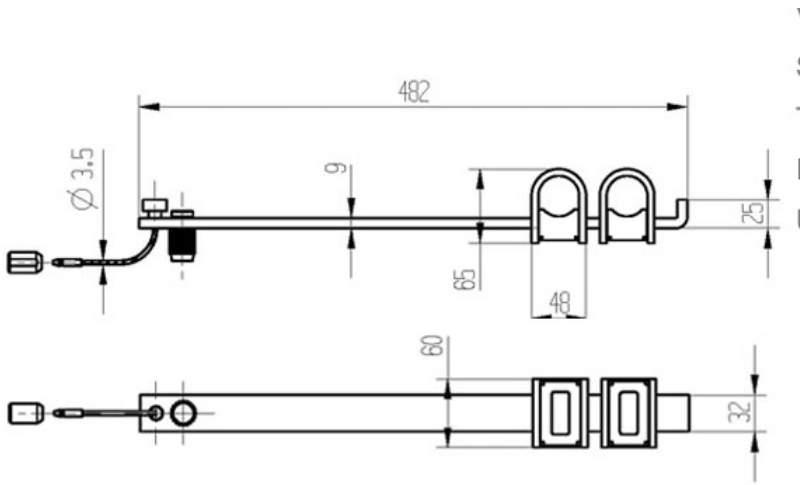
Phone : +33 3 20 28 87 31 - Fax : +33 3 20 28 87 36

www.etigo.fr - Email : formulaire@etigo.fr



# Crosslock Lock

Security Seal



**ETIGO**

2 Avenue Paul Langevin - Zone d'Activités de Ravennes les Francs - 59200 - TOURCOING - France  
Phone : +33 3 20 28 87 31 - Fax : +33 3 20 28 87 36  
www.etigo.fr - Email : formulaire@etigo.fr

